

## PI-3k16

- Two-stage surge arresters type T3 with high-frequency filters for serial connection.
- Intended for protection of electronic appliances against the effects of switching, induced and residual overvoltage generated in LV power supply systems.
- Contain an improved thermal fuse, which ensures timely disconnection of HSAF\* S from the power grid during the MOV's overheating and thus prevents damage to the HSAF\* S.
- Installed at the boundaries of LPZ 2 – LPZ 3, as close to the device to be protected as possible (no further than 5 m).
- In front of HSAF\* S must be installed a lightning current and surge arrester T1 and T2 from HAKEL company.
- **S** indication specifies a version with remote monitoring.

Type		PI-3k16
Test class according to EN 61643-11:2012 (IEC 61643-11:2011)		T3
System		TN-C-S, TN-S
Number of poles		4
Rated operating AC voltage	$U_N$	230 V
Maximum continuous operating voltage AC	$U_C$	275 V
Rated load current	$I_L$	16 A
Open circuit voltage of the combination wave generator (L/N, L/PE)	$U_{OC}$	6 kV
Open circuit voltage of the combination wave generator (N/PE)	$U_{OC}$	10 kV
Voltage protection level at $U_{OC}$ (L/N)	$U_p$	< 0.85 kV
Voltage protection level at $U_{OC}$ (L/PE)	$U_p$	< 1.5 kV
Voltage protection level at $U_{OC}$ (N/PE)	$U_p$	< 1.2 kV
Nominal discharge current for class II test (8/20) L/N, L/PE	$I_n$	3 kA
Nominal discharge current for class II test (8/20) N/PE	$I_n$	5 kA
Total discharge current (8/20) L+N->PE	$I_{Total}$	6 kA
Asymmetrical attenuation of filter at $f = 4$ MHz		> 80 dB
Asymmetrical attenuation of filter at $f = 0.15 \div 30$ MHz		> 35 dB
Temporary overvoltage test (TOV) for $t_T = 5$ s (L/N)	$U_T$	337 V
Temporary overvoltage test (TOV) for $t_T = 120$ min (L/N)	$U_T$	440 V
Temporary overvoltage test (TOV) for $t_T = 0.2$ s (N/PE)	$U_T$	1 200 V
Response time (L/N)	$t_A$	< 25 ns
Response time (L/PE, N/PE)	$t_A$	< 100 ns
Power dissipation	$P_Z$	< 7.5 W
Maximal back-up fuse		16 A gL/gG
Residual current	$I_{PE}$	$\leq 1\ 800\ \mu A$
Short-circuit current rating at maximum back-up fuse	$I_{SCCR}$	6 kA <sub>rms</sub>
Lightning protection zone		LPZ 2-3
Housing material		Polyamid PA6, UL94 V-0
Degree of protection		IP20

Type		PI-3k16
Operating temperature	θ	-40 ÷ 55 °C
Humidity range	RH	5 ÷ 95 %
Recommended cross-section of connected conductors	S	2.5 mm <sup>2</sup>
Clamp fastening range (solid conductor)		0.5 ÷ 6 mm <sup>2</sup>
Clamp fastening range (stranded conductor)		0.5 ÷ 4 mm <sup>2</sup>
Tightening moment		0,5 Nm
Installation		On DIN rail 35 mm
Modular width		9 TE
Operating position		Any
Product placement environment		Internal
Signalling at the device		Optic
Importance of local signaling		OK – red retracted target FAULT – red extended target
Remote signalling		Yes
Potential free signal contact (S) (recommended cross-section of remote monitoring max. 1 mm <sup>2</sup> )		AC: 250 V / 0.5 A, DC: 250 V / 0.1 A
Includes EMI / EMC filter		Yes
Modular design		No
Lifetime		> 100 000 h
<b>Designed according to standards</b>		
Requirements and test methods for SPDs connected to low-voltage power systems		IEC 61643-11:2011
Methods of measurement of the suppression characteristics of passive EMC filtering devices		EN 55017:2011 / CISPR 17:2011
Safety of Flammability of Plastic Materials		UL 94
<b>Application standards</b>		
Protection against lightning		IEC 62305:2010
Selection and erection of electrical equipment – Switchgear and controlgear		HD 60364-5-53:2022
Selection and application principles for SPDs connected to low-voltage power systems		CLC/TS 61643-12:2009
<b>Ordering, packaging and additional data</b>		
Mass	m	500 g
Mass (including the packaging)	m	544 g
Packaging dimensions (H x W x D)		71 x 177 x 106 mm
Packaging value	V	1.33 dm <sup>3</sup>
ETIM group		EG000021
ETIM class		EC000942
Customs tariff no.		85363010
EAN code		8590681303009
<b>Art. number</b>		<b>30 300</b>



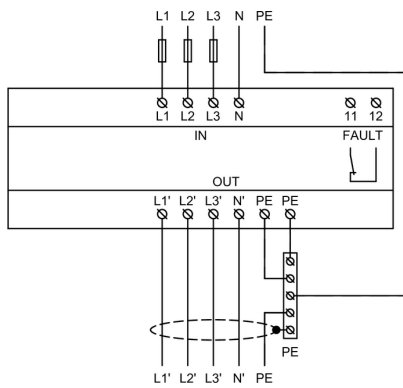
The link in the QR code leads to the online presentation of the **PI-3k16**.

There, in addition to the always up-to-date data sheet, you will also find all diagrams and drawings, declarations of conformity, or 2D or 3D models and other necessary materials. For more information, visit [www.hakil.com](http://www.hakil.com)



8590681303009

### Application wiring diagram (installation)



### Internal diagram

